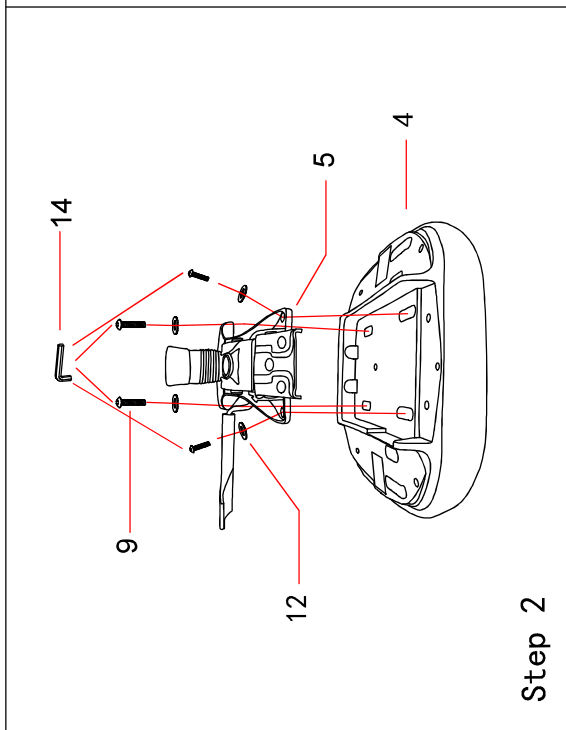
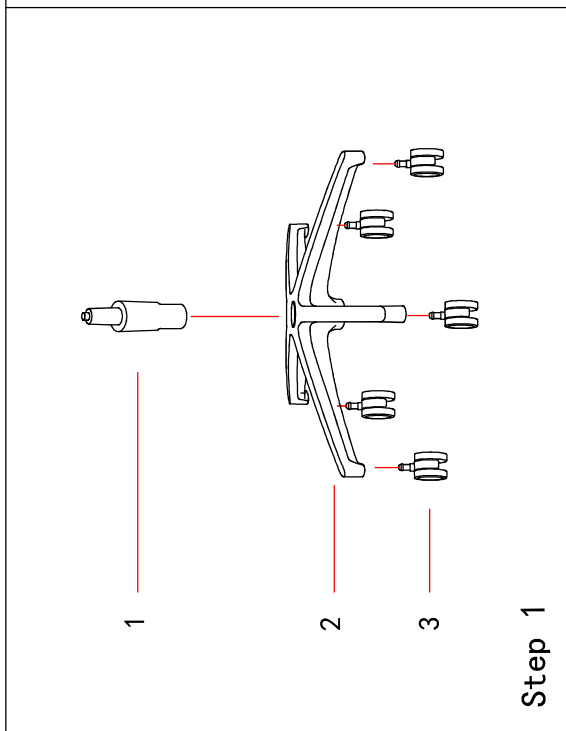


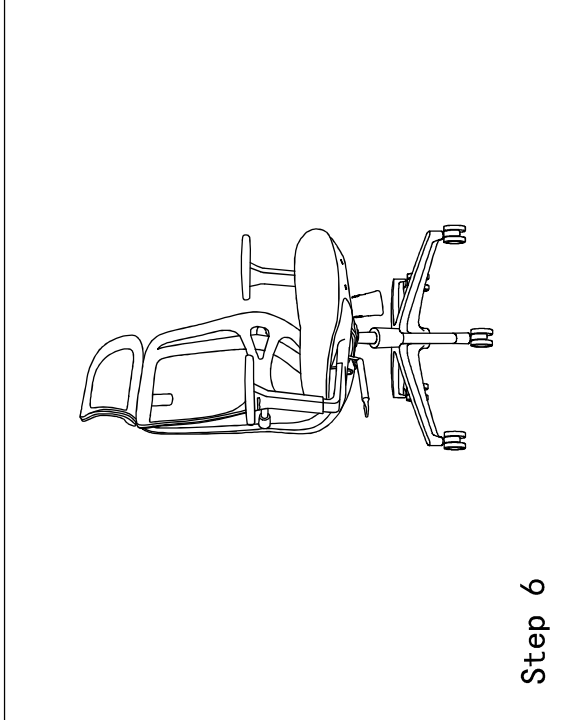
Step 1



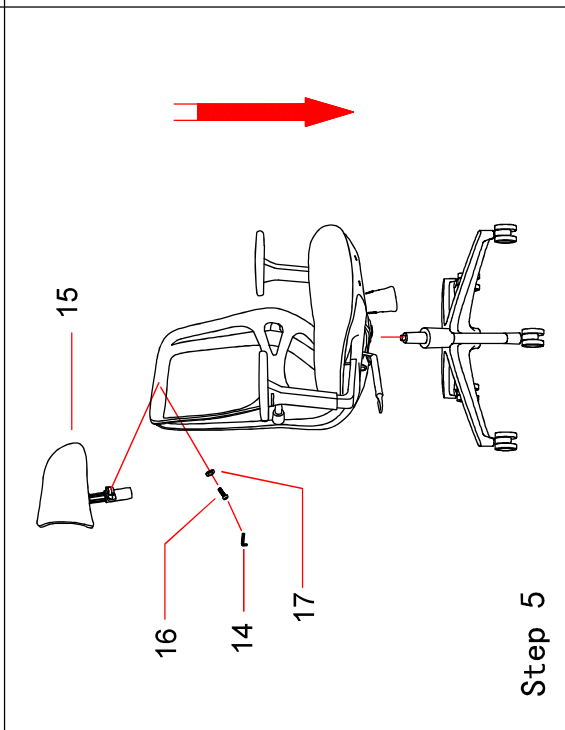
Step 2



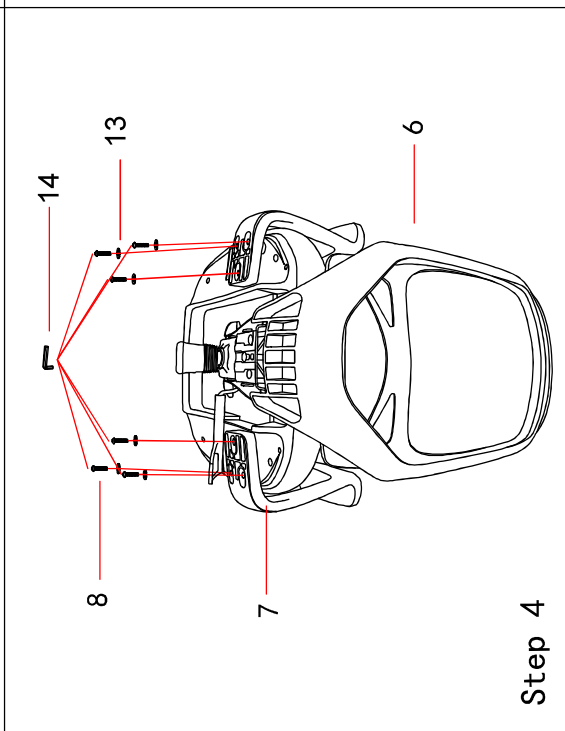
Step 3



Step 4



Step 5



Step 6

NO.	SKETCH	SIZE	QTY
1			1 pcs
2			1 pcs
3			5 pcs
4			1 pcs
5			1 pcs
6			1 pcs
7			2 pcs
8		M6*60mm	6 pcs
9		M6*55mm	4 pcs
10		M8*25mm	3 pcs
11		M8*13mm	3 pcs
12		M8*17mm	7 pcs
13		M6*15mm	6 pcs
14		M5	1 pcs
15			1 pcs
16		M6X20MM	1 pcs
17		M6	1 pcs
18			

ADAPTA